

AFTERCARE INSTRUCTIONS

Excessive exposure to water will deteriorate the furniture. Wipe away any water splashes or condensation after use. **Do not allow water to sit on the countertops or inside the drawers.**

All bathrooms should be well ventilated. We recommend the installation of a suitable extractor fan.

Clean with a soft damp cloth only.

Use a wax free polish if one must be used.

CUSTOMER SERVICE

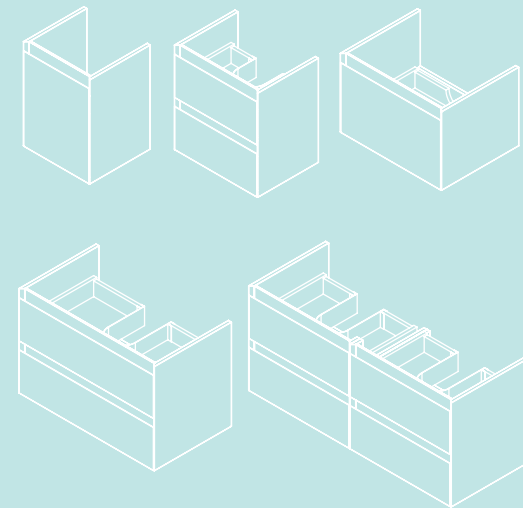
t: +44(0)208 686 5100
e: technical@saneux.com

Iain Stewart Centre, Beehive
Ring Road, Gatwick, RH6 0PB

www.saneux.com

UNI

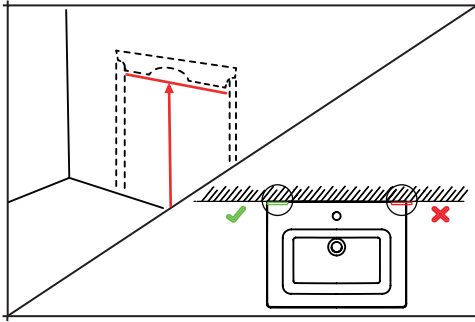
INSTALLATION INSTRUCTIONS



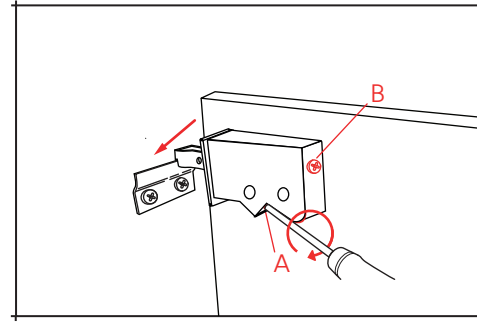
Wall Mounted Furniture

Matte White, Matte Anthracite, English Oak
40cm / 50cm / 60cm / 80cm
100cm / 120cm

saneux

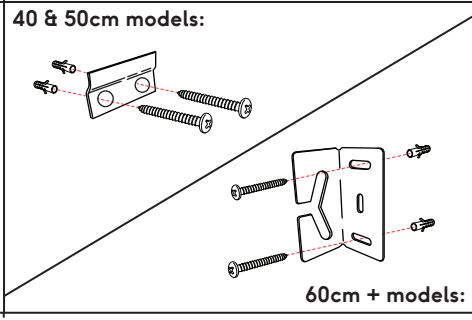


1. Mark the location of both mounting plates ensuring that they are positioned inside the side panels of the unit. The recommended height for the top face of the basin is 850mm.

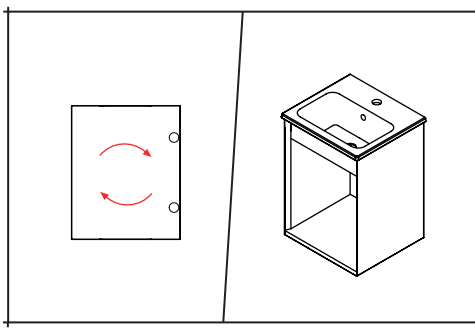
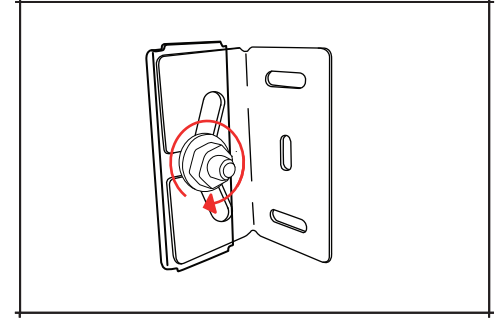


5. **40/50cm models:**
Locate the fixing brackets onto the wall fixings and adjust to tighten to the wall.
- **Screw A** adjusts the height of the unit
- **Screw B** tightens the unit against the wall.

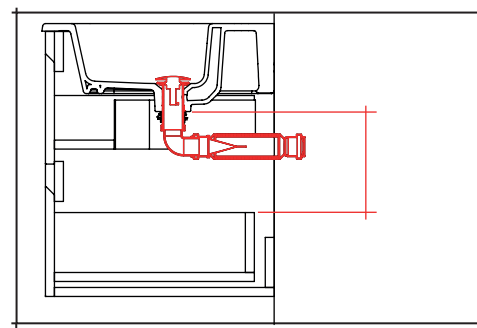
2. Make sure that there are no hidden pipes or cables in the wall before drilling. Drill 2 holes per mounting plate using a suitable drill bit to a depth of 55mm. The fixings supplied are for solid walls. For hollow or stud walls use specialist fixings.



6. **60cm + models:**
Locate the brackets on the furniture to the mounting plates on the wall. Secure the unit to the wall by tightening the nuts with a spanner.

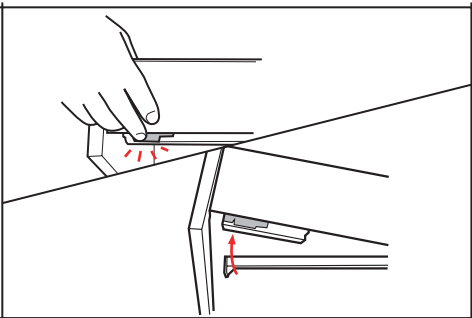


3. **40cm models:** One door units will arrive with the door disassembled. Decide on either Right or Left hand opening. Secure the hinges to the door. **Make sure to align accurately before securing.** Next, fix the door & hinges to the carcass through the predrilled pilot holes, then cover the opposite pilot holes using the stickers provided.



7. Make all plumbing connections and test for any leaks. We recommend the following saneux waste accessories:
WA005 - Low profile waste trap.
530S- Click waste.
WA006 - Super low profile waste trap & click waste.

4. **50cm + models:** It may be easier to install the unit if the drawer is removed. To remove the drawer from the unit, fully extend the drawer. Under either side of the drawer on the runners there are two clips that will release the drawer.



8. Secure the basin to the unit using a silicone sealant. **IMPORTANT: Seal the edges between the basin/countertop and the furniture.**

